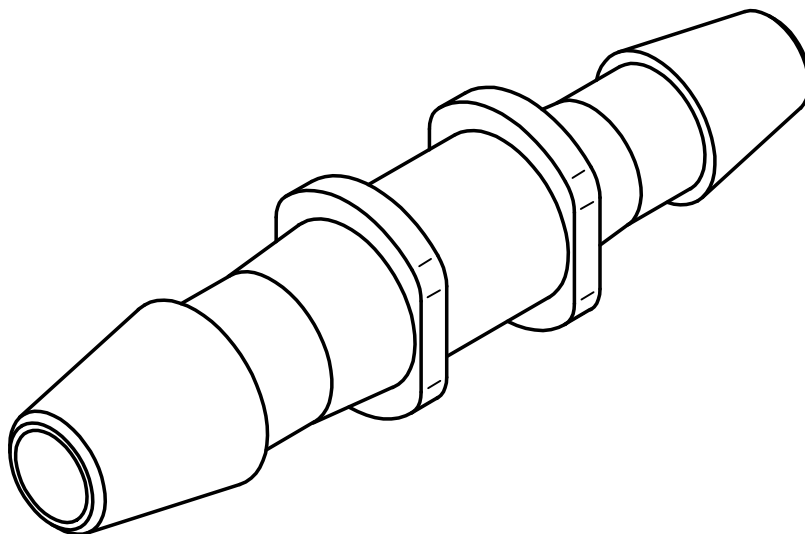



SECTION A-A



REFERENCE ONLY

 <b>Injectech</b>	
TITLE Straight Reducing 3/16" to 5/32" Barb	
SIZE A	DWG NO C316R532
DATE 01/24/2018	
SCALE: NOT TO SCALE	SHEET 1 OF 1